

Contact information :

To be sent to :

Société IVALDI

Z.I. de Netreville

71, rue de l'industrie

27025 EVREUX CEDEX

FRANCE

te l. +33 (0)2 32 38 26 16

fax. + 33 (0)2 32 62 34 67

Coiled heaters (RCF) > Enquire for a quotation or place an order.

To place an order or for a quotation request, please fill in the form below:

Ex-stock standard product :



Ex-stock standard product with shaping, option, standard or non-standard accessory :

Other product :

Basic information

Product code

Quantity

Or

		NC coté connexion (mm)
Section	Ø 3.7 <input type="checkbox"/>	150
	Square 3.3x3.3 <input type="checkbox"/>	100
	Rectangular 4.5 x 2.5 <input type="checkbox"/>	65
Total length (L)	<input type="text"/>	mm
Wattage W	<input type="text"/>	W
Voltage V	<input type="text"/>	V
SL (cable length) *	<input type="text"/>	mm
With J type thermocouple	<input type="checkbox"/>	

* As standard, ex-stock products are fitted with :
teflon insulated cables + galvanized steel braid + earth wire SL 1000mm (OPT3)

Then, if required, complete below additional information table**Additional information, shaping, options or accessories**

APPL1

Mould

APPL2 Application

Hot runner

APPL3

Other (specify)

TEMP Operating temperature

Celcius


Other unheated section :


NC NC Unheated section at cable end (mm)

Protection des câbles :

NPFA  Teflon insulated cables



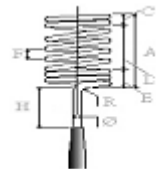
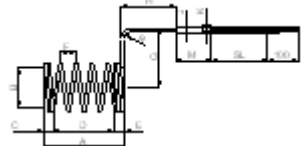
1GSV  Teflon insulated cables + siliconized glass fibre sleeve + earth wire

OPT3  STANDARD ASSEMBLY
Teflon insulated cables + galvanized steel braid + earth wire

OPT2  Teflon insulated cables + galvanized steel flexible metallic conduit + earth wire

XCAB Other assemblies on demand





Shaping :

FT		<input type="checkbox"/> Tangential
FR		<input type="checkbox"/> Radial
FA		<input type="checkbox"/> Axial
FRT		<input type="checkbox"/> Radial tangential

Coil dimensions:

Inside Ø (B)	<input type="text"/>	mm
Length (A)	<input type="text"/>	mm
Position connexion (H)	<input type="text"/>	mm
Position of connection from coil axis (G)	<input type="text"/>	mm
In case of variable pitch: indicate C length	<input type="text"/>	mm Number of tight turns of coil <input type="text"/>
In case of variable pitch: indicate E length	<input type="text"/>	mm Number of tight turns of coil <input type="text"/>
Other information if relevant	<input type="text"/>	

Accessories :

RAC		<input type="checkbox"/> Threaded fitting for water tight assembly (specify dimensions and supply sketch for fitting position)
CS		<input type="checkbox"/> Tightening clamp for good holding down of coiled heater and optimum contact.
BI		<input type="checkbox"/> Stainless steel ring for good holding down of coiled heater in tight places.
BB		<input type="checkbox"/> Bronze ring with stainless steel cover for good and homogeneous heat transfer.
ACCX	Other :	<input type="checkbox"/> <input type="text"/>

Connector :

Brand :	<input type="text"/>
Type :	<input type="text"/>
Product code:	<input type="text"/>

Do not hesitate to contact our technical department to define the best solution for your requirements.